

ELECTRIC ROTATING OVEN

MILANO

RIF. COD. **ER115**



M.A.M. s.r.l.
Via C. Angiolieri, 28-34
41123 Modena (Italy)
Tel. +39 059 330219
mam@mamforni.it
P. IVA 02170610360

ELECTRIC

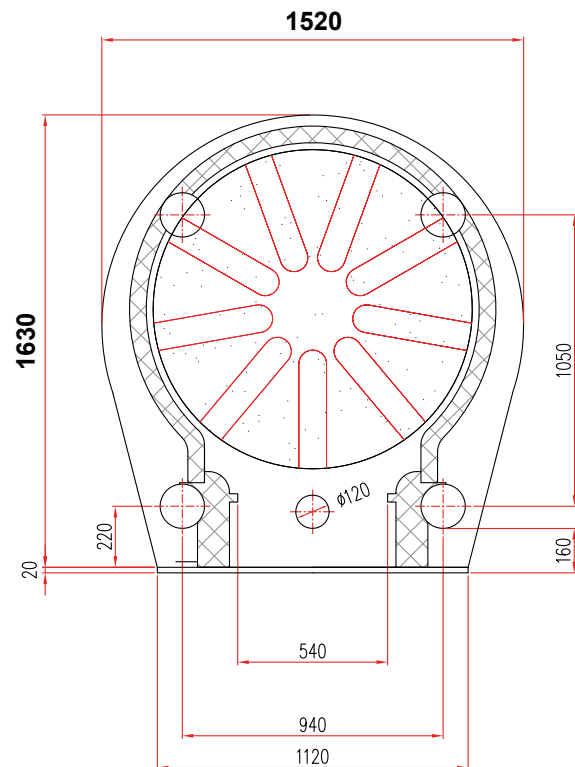
www.mamforni.it

TECHNICAL CHARACTERISTICS

TECHNICAL DATA	SPEC
SUPPLY VOLTAGE	400 vac 3x400V+N
RATED CURRENT	30 A
NOMINAL FREQUENCY	50 ..60Hz
POWER IN W	18,5 Kw
DEGREE OF PROTECTION	IP20
OPERATING TEMPERATURE	-20...+50°C
ALIMENTATION CABLE	5x10mmq
PROTECTION	In 40 A 30mA



DIMENSION	MILANO
DEPTH	163 cm
WIDTH	152 cm
HEIGHT	185 cm
WEIGHT	700 kg
HOB HEIGHT	125 cm
HOB DIAMETER	Ø 115 cm
PIZZAS CAPACITY	7 - 8
MOUTH WIDTH	54 cm
SMOKE DISCHARGE DIMENSION	Ø 12 cm



CE

IMQ Tested