

# ROTATING OVEN / 1 DOOR

# ROMA

RIF. COD. **FRIB**



**M.A.M. s.r.l.**  
Via C. Angiolieri, 28-34  
41123 Modena (Italy)  
Tel. +39 059 330219  
mam@mamforni.it  
P. IVA 02170610360



[www.mamforni.it](http://www.mamforni.it)

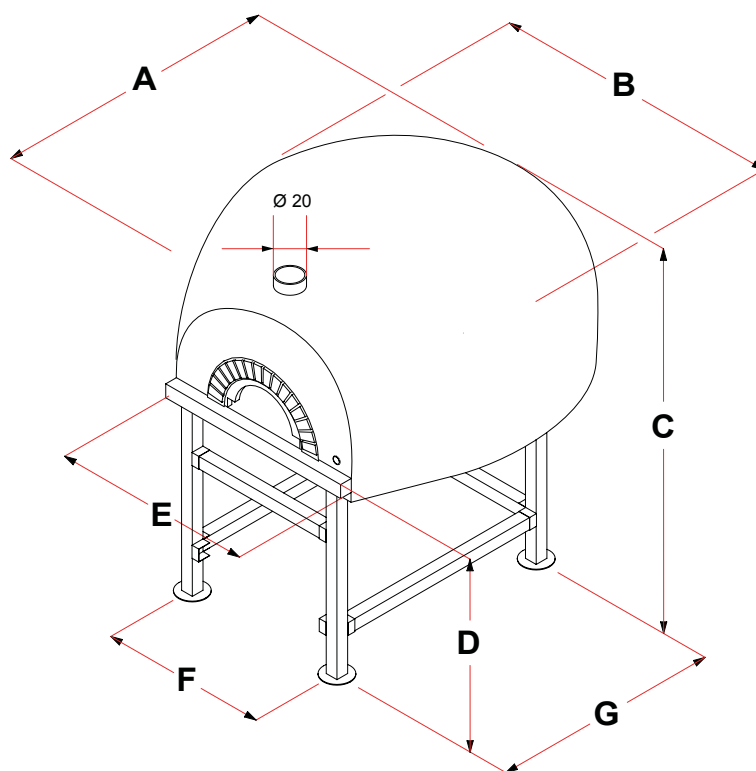
## TECHNICAL CHARACTERISTICS

| MODEL                          | UM         | Ø 95        |
|--------------------------------|------------|-------------|
| Height of the cooktop          | cm         | 120         |
| Door width                     | cm         | 54/68       |
| Power consumption              | Kw<br>Volt | 0,36<br>220 |
| Total weight (standard finish) | Kg         | 1300        |
| Pizza capacity                 | n.         | 5 - 6       |
| Under-floor burner             |            | O           |

Minimum flue dimensions: Ø 20 cm.



| DIMENSIONS             | UM | Ø 95 |
|------------------------|----|------|
| A - DEPTH              | cm | 163  |
| B - WIDTH              | cm | 152  |
| C - HEIGHT             | cm | 190  |
| D                      | cm | 120  |
| E                      | cm | 105  |
| F                      | cm | 94   |
| G                      | cm | 105  |
| Headband foot overhang | cm | 17   |



## WOOD DATA

|  |           |
|--|-----------|
| Minimum distance from the combustible material | Contact   |
| CO emission produced during combustion         | 0,48 %    |
| Combustion fume temperature                    | 305° C    |
| Thermic outlet used (heating)                  | 11,5 Kw   |
| Energy efficiency                              | 66,7 %    |
| Fuel typer                                     | Wood logs |
| CO** (mg/Nm <sup>3</sup> )                     | 5848      |
| Powders** (mg/Nm <sup>3</sup> )                | 248       |

MADE IN ITALY **CE** 05

Prefabricated wood-fired oven  
1935/2004 - 2001/95/CE

\*\* values corrected to 10% of O<sub>2</sub>

