

ROTATING OVEN / 1 DOOR

NAPOLI

RIF. COD. **NI**



M.A.M. s.r.l.
Via C. Angiolieri, 28-34
41123 Modena (Italy)
Tel. +39 059 330219
mam@mamforni.it
P. IVA 02170610360



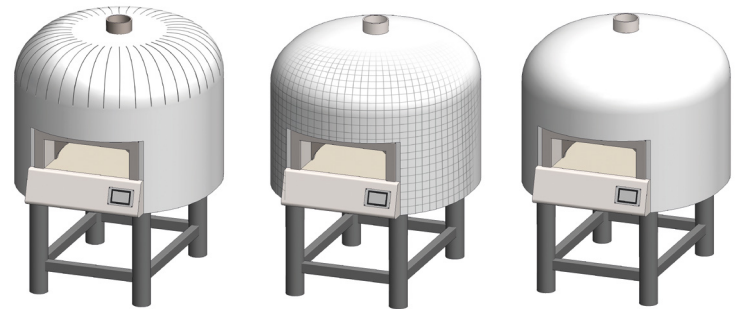
www.mamforni.it

TECHNICAL CHARACTERISTICS

MODEL	UM	Ø 135
Height of the cooktop	cm	105/120
Door width	cm	54 / 68
Power consumption	Kw Volt	0,36 220
Total weight (base finish)	Kg	2000
Pizza capacity	n.	10 - 12
Under-floor burner		O

Minimum flue dimensions: Ø 20 cm.

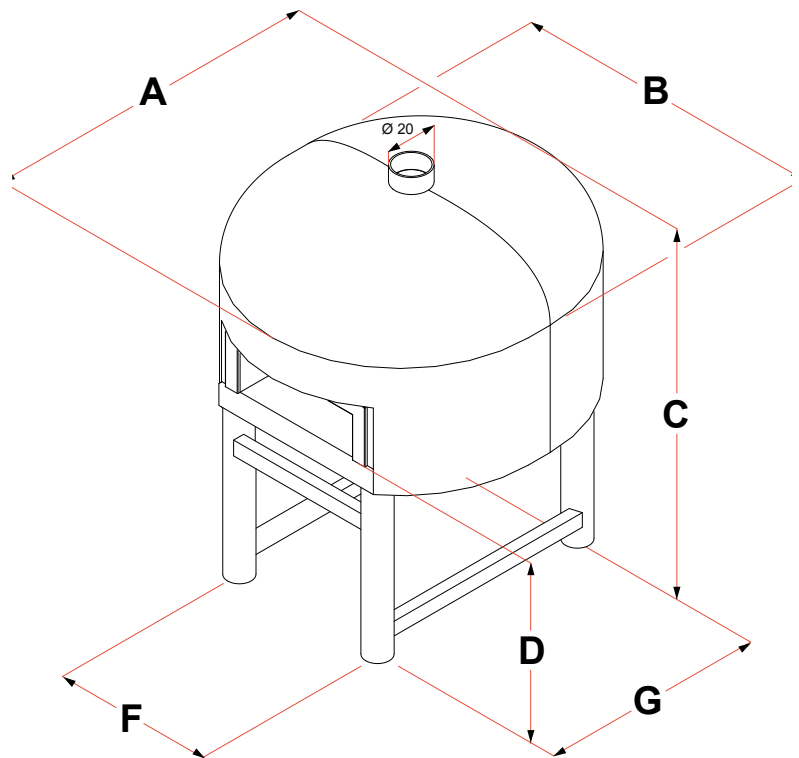
DIMENSIONS	UM	Ø 135
A - DEPTH	cm	220
B - WIDTH	cm	200
C - HEIGHT	cm	200-220
D	cm	105-120
F	cm	116
G	cm	149



SPICCHIO

MOSAIC

BASE



WOOD DATA

Minimum distance from the combustible material	Contact
CO emission produced during combustion	0,48 %
Combustion fume temperature	305° C
Thermic outlet used (heating)	11,5 Kw
Energy efficiency	66,7 %
Fuel typer	Wood logs
CO** (mg/Nm ³)	5848
Powders** (mg/Nm ³)	248

MADE IN ITALY **CE** 05

Prefabricated wood-fired oven
1935/2004 - 2001/95/CE

** values corrected to 10% of O₂

