

ROTATING OVEN / 1 DOOR

NAPOLI

RIF. COD. **NI**



M.A.M. s.r.l.
Via C. Angiolieri, 28-34
41123 Modena (Italy)
Tel. +39 059 330219
mam@mamforni.it
P. IVA 02170610360



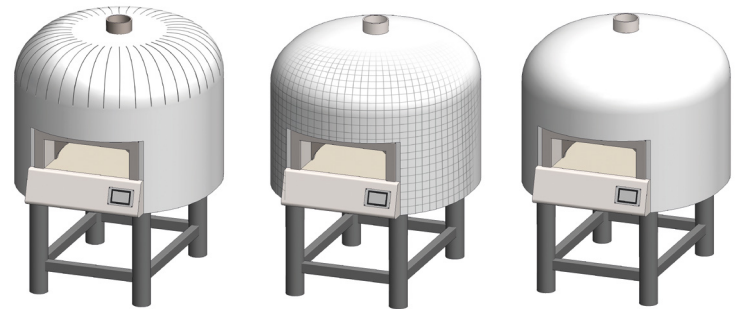
www.mamforni.it

TECHNICAL CHARACTERISTICS

MODEL	UM	Ø 135
Height of the cooktop	cm	105/120
Door width	cm	54 / 68
Power consumption	Kw Volt	0,36 220
Total weight (base finish)	Kg	2000
Pizza capacity	n.	10 - 12
Under-floor burner		O

Minimum flue dimensions: Ø 20 cm.

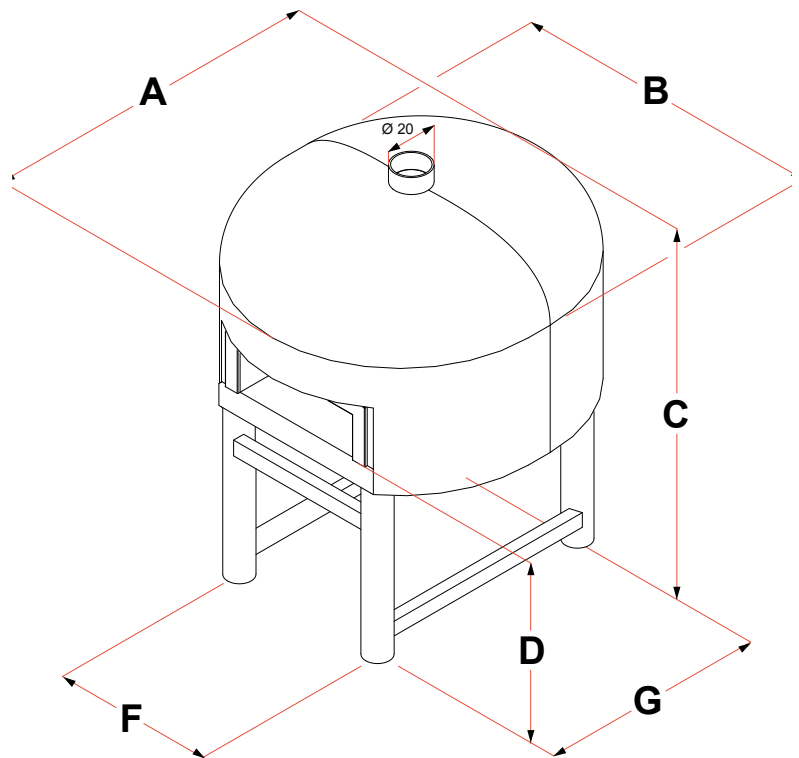
DIMENSIONS	UM	Ø 135
A - DEPTH	cm	220
B - WIDTH	cm	200
C - HEIGHT	cm	200-220
D	cm	105-120
F	cm	116
G	cm	149



SPICCHIO

MOSAIC

BASE



GAS THERMAL DATA	UM	Ø 95
Thermal power	Kw	34
LPG consumption	Kg/h	2,681
Natural Gas consumption	m³/h	3,598
Smoke temperature	°C	200
Flue gas draught	Pa	12
Gas Connection	in	1/2
Type of Construction		A1-B11BS
Electricity consumption	Kw	0,37

