

ROTATING OVEN / 1 DOOR MILANO

RIF. COD. **FRIB**



M.A.M. s.r.l.
Via C. Angiolieri, 28-34
41123 Modena (Italy)
Tel. +39 059 330219
mam@mamforni.it
P. IVA 02170610360

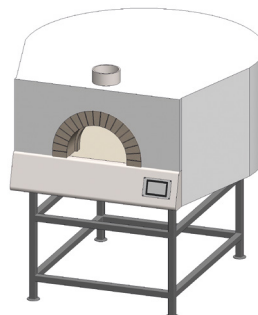


www.mamforni.it

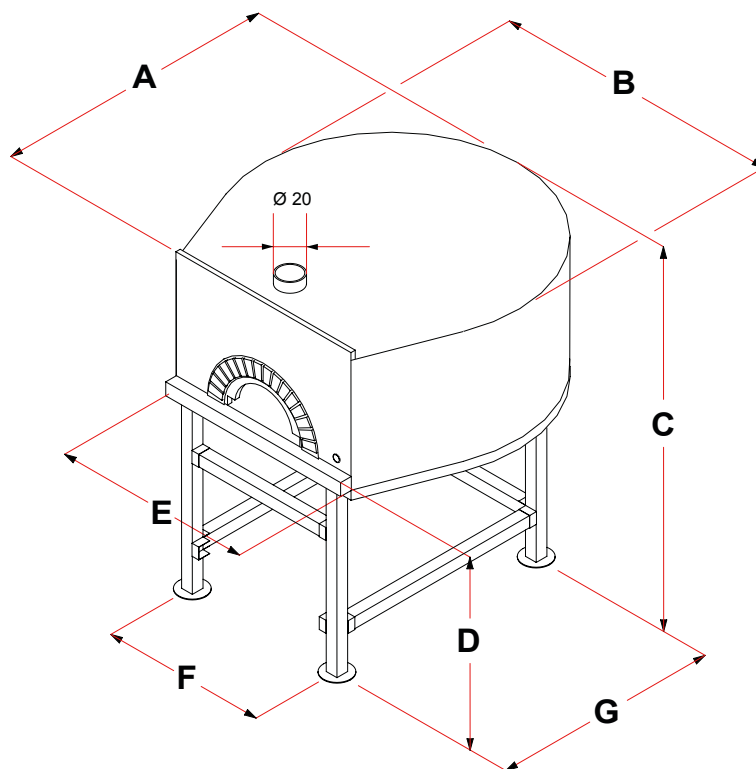
TECHNICAL CHARACTERISTICS

MODEL	UM	Ø 115
Height of the cooktop	cm	120
Door width	cm	54 / 68
Power consumption	Kw Volt	0,36 220
Total weight (standard finish)	Kg	1500
Pizza capacity	n.	7 - 8
Under-floor burner		O

Minimum flue dimensions: Ø 20 cm.



DIMENSIONS	UM	Ø 115
A - DEPTH	cm	177
B - WIDTH	cm	172
C - HEIGHT	cm	195
D	cm	120
E	cm	112
F	cm	94
G	cm	135
Headband foot overhang	cm	11



GAS THERMAL DATA	UM	Ø 115
Thermal power	Kw	34
LPG consumption	Kg/h	2,681
Natural Gas consumption	m³/h	3,598
Smoke temperature	°C	200
Flue gas draught	Pa	12
Gas Connection	in	1/2
Type of Construction		A1-B11BS
Electricity consumption	Kw	0,37

WOOD DATA	
Minimum distance from the combustible material	Contact
CO emission produced during combustion	0,48 %
Combustion fume temperature	305° C
Thermic outlet used (heating)	11,5 Kw
Energy efficiency	66,7 %
Fuel typer	Wood logs
CO** (mg/Nm³)	5848
Powders** (mg/Nm³)	248

MADE IN ITALY 05

Prefabricated wood-fired oven
1935/2004 - 2001/95/CE

** values corrected to 10% of O₂

